



Leyden Wood Stove Bypass Repair Kit

SKU 250-00257

Compatibility

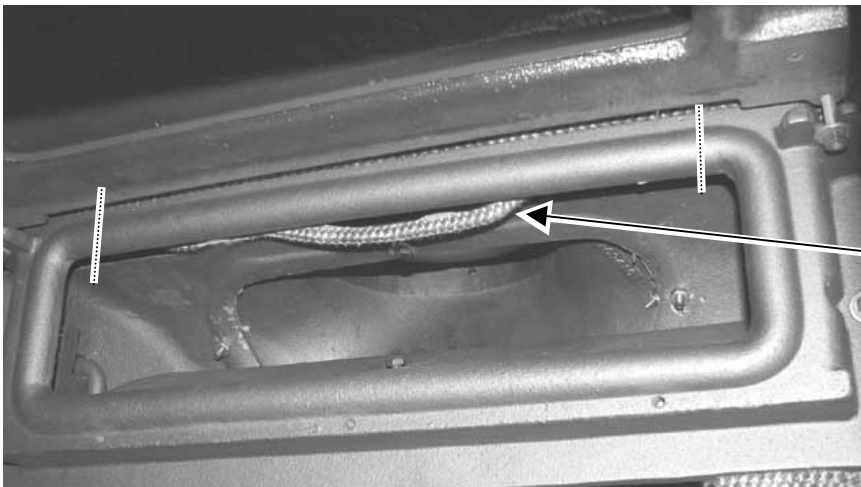
This kit is for Leyden wood stoves, which have a detached or damaged bypass gasket. The gasket clip included with this kit is now installed in most Leyden stoves. If your Leyden stove already has the clip (see the picture under step # 2) you do not require the clip included here. To order only the bypass gasket use SKU 250-00258.

Packing List

- Gasket Clip
- 11/64" Drill Bit
- (3) 10-24 X 3/8" Screws
- 42" of 1/2" Hytex 1400° Gasket Rope
- Rutland 77 Gasket Cement

Installation

- 1 Open the bypass and inspect the bypass gasket from within the firebox. If the existing gasket is in place and un-damaged, we recommend you leave it in place and proceed to install the gasket clip (see step 2). If the gasket is drooping at the top (see the picture below) we recommend you cut the center of the gasket out and remove the center portion. If the entire gasket has detached, or is damaged, replace the entire gasket.



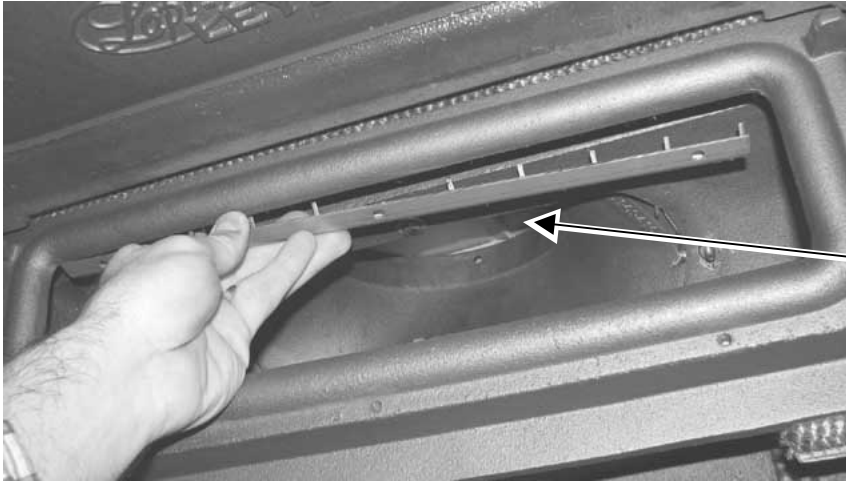
If the gasket is drooping in the center, simply cut the gasket along the dotted lines. Remove the gasket and replace with the included gasket.



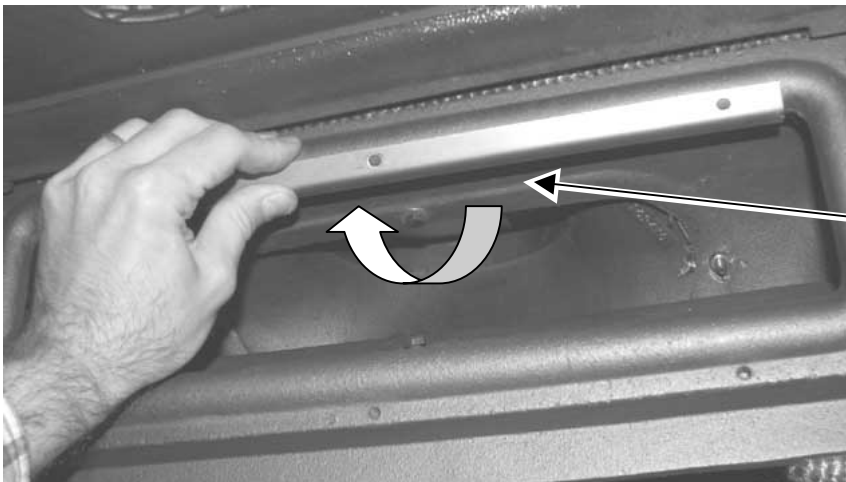
Leyden Wood Stove Bypass Repair Kit

SKU 250-00257

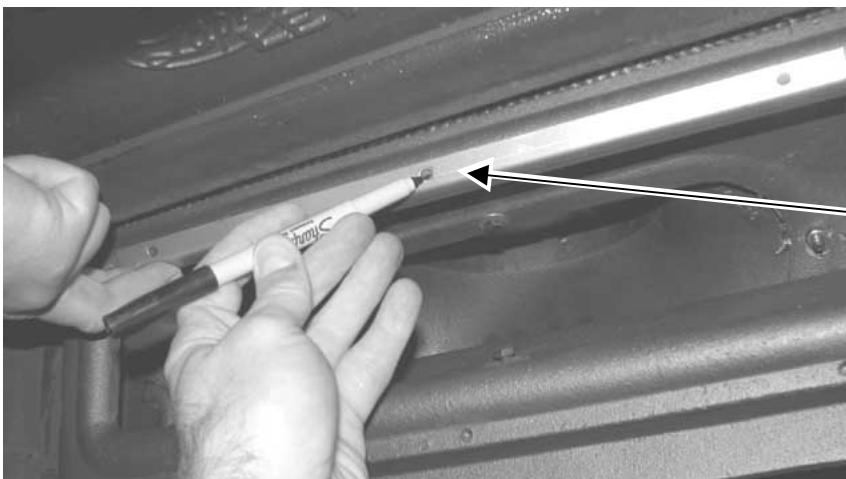
- 2 Follow the steps below to mark the location of the center hole for the gasket clip.
NOTE: Take care to rotate the gasket clip into place to prevent dislodging the gasket.



Hold the gasket clip with the pins to the rear, facing upwards. Slide the clip over the bypass gasket – the pins will depress or pierce the gasket.



Rotate the clip forward until it is firmly against the cast iron housing.



Mark the location of the center hole on the gasket clip.



Leyden Wood Stove Bypass Repair Kit

SKU 250-00257

- 3 Remove the gasket clip (rotate it off the housing and gasket). Use a center punch to create a divot in the location marked in step 2. Use the included drill bit to drill an 11/64" hole in this location. **NOTE:** The drill will pass entirely through the bypass housing and may contact the bypass gasket. Make sure the gasket stays in place after drilling.



- 4 Replace the gasket clip (remember to rotate it into place) and secure it with the center screw. **NOTE:** Do not over-tighten this screw – this may cause the screw head to break off.





Leyden Wood Stove Bypass Repair Kit

SKU 250-00257

- 5 With the gasket clip in place, drill the two side holes (the clip is used as a drill fixture).

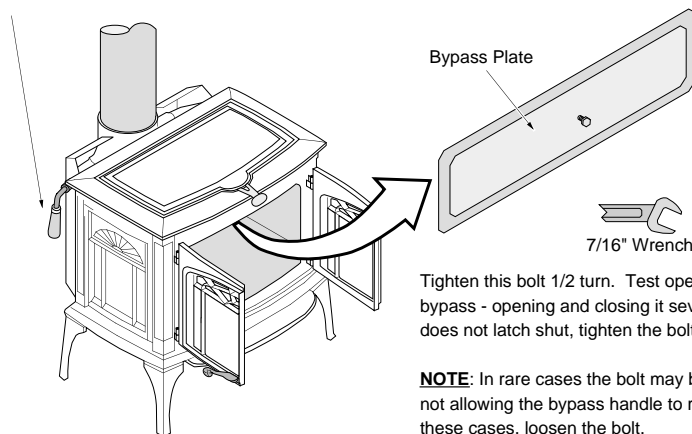


- 6 Secure the side holes with the included screws to complete the installation.



- 7 Test bypass operation. Adjust the bypass if necessary (see the illustration below).

Close the bypass -- you may need to hold it in the shut position.



Tighten this bolt 1/2 turn. Test operation of the bypass - opening and closing it several times. If it does not latch shut, tighten the bolt another 1/2 turn.

NOTE: In rare cases the bolt may be over-tightened, not allowing the bypass handle to rotate down. In these cases, loosen the bolt.